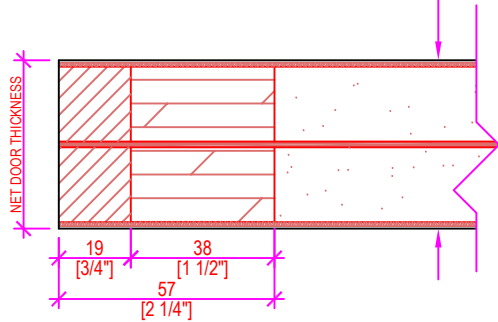


AVAILABLE DOOR SIZES:
 Hardboard 4/0 x 8/0
 Standard Thickness - 1-3/8" or 1-3/4"

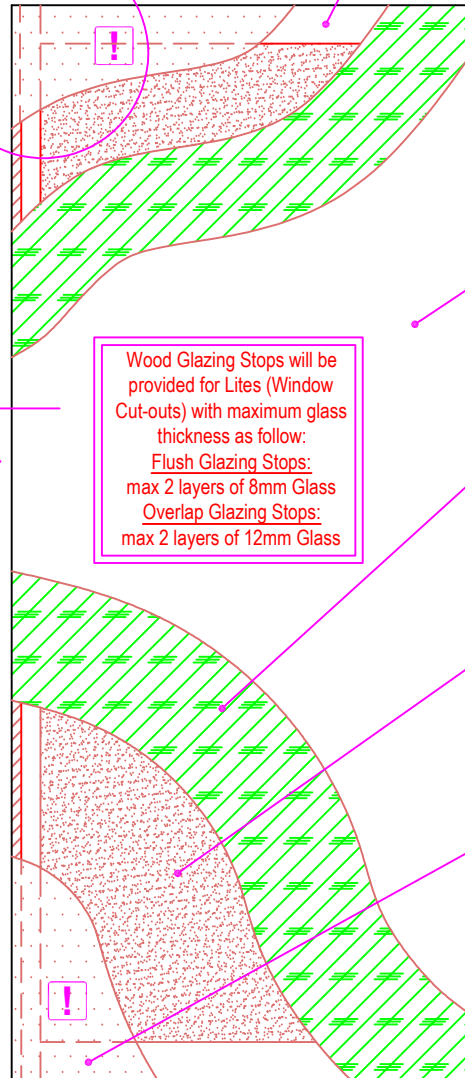
NET DOOR HEIGHT

DOOR CONSTRUCTION DETAILS
 DOOR FACE TO CUSTOMER SPEC.
 1.6mm [1/16"] COMPOSITE CROSS-BANDING
 DOOR CORE CONSTRUCTION LAYER
 SOLID LEAD **
 DOOR CORE CONSTRUCTION LAYER
 1.6mm [1/16"] COMPOSITE CROSS-BANDING
 DOOR FACE TO CUSTOMER SPEC.



A-A DOOR EDGE DOOR SECTION
 SCALE: 6" = 1'-0"

RAILS:
 76mm [3"] SCL TOP & BOTTOM RAILS



Wood Glazing Stops will be provided for Lites (Window Cut-outs) with maximum glass thickness as follow:
 Flush Glazing Stops:
 max 2 layers of 8mm Glass
 Overlap Glazing Stops:
 max 2 layers of 12mm Glass

DOOR FACE:
 WOOD VENEER SPECIES OR PLASTIC LAMINATE [GP thickness] OR ALTERNATE DOOR FINISH [as requested]

CROSSBAND:
 1.6mm [1/16"] COMPOSITE HDF

CORE:
 PARTICLE BOARD DOOR CORE (ANSI A208.1 GRADE LD-1)

RADIOLOGY PROTECTION:
 SOLID LEAD LAYER
 MIDDLE LAYER OF DOOR [thickness as requested]

**Standard LEAD Thickness
 1.6mm [1/16"] (4lbs)
 Available Upon Request
 0.8mm [1/32"] (2lbs)
 2.3mm [3/32"] (6lbs)

NET DOOR WIDTH

 <small>Manufacturers of Fine Quality Millwork Doors & Paneling</small> 1150 Sanford Street Ph: (204) 786-1411 Fax: (204) 786-2634 Winnipeg, MB R3E 2Z9 www.dormonddoors.com	Date: MAR 10, 2021
	Revision:
Drawing: DPC-7-L LEAD-LINED	
Drawn By: A.D.	Sheet: 1 of 1